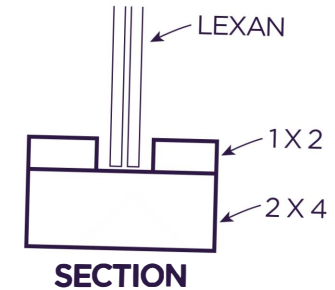
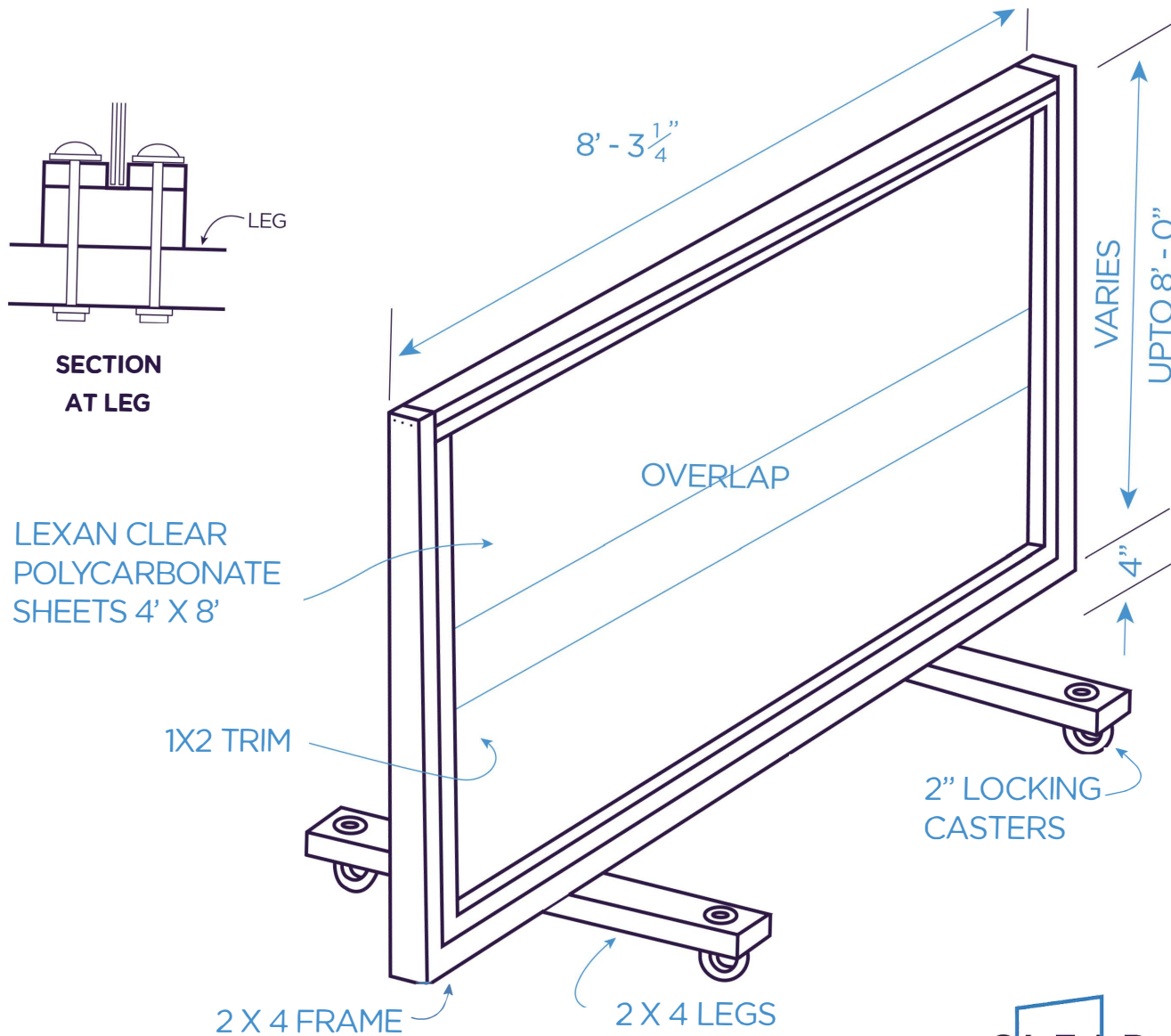


Clear Connection



MATERIAL LIST FOR ONE (1) UNIT

- 2 - 2 x 4 x 8'
- 2 - 2 x 4 x 12'
- 2 - Lexan 4' x 8' Sheets
- 4 - 2" Locking Casters
- 4 - $\frac{3}{8}$ " x 4 $\frac{1}{2}$ " Carriage Bolts
- Lot - 2 $\frac{1}{2}$ " Decking Screws
- Lot - Wood Glue
- Lot - Semi Transparent Stain

